

Brough  
Superior  
Since 1919

*Lawrence*



# THE CRUISING RIDER'S IDEAL LAWRENCE



## The most high end motorcycle of the world

Brough Superior is the first brand to have produced motorcycles that could go above 100 mph. It was recently bought (2014) by French motorcycle expert Thierry Henriette. After relaunching Lawrence of Arabia's legendary S.S.100 and collaborating with Aston Martin to create the only existing bike of the brand, Brough Superior decided to produce the most high end motorcycle of the world: the "Lawrence".

Hand-built with the best materials available (titanium, carbon fiber, aluminium), the Lawrence benefited the strong local aeronautical industry network to be developed.

All eyes should have been on the Lawrence at the EICMA 2020 fair, but its absence due to Covid-19 will not affect its impact on the motorcycle industry.







## Lawrence of Arabia: Eternal Brough Superior icon

Lawrence of Arabia, also known as Thomas Edward Lawrence or T.E Shaw (when he enrolled in the Royal Air Force), owned seven Brough Superiors. Aside from writing, riding his Broughs was the only author's hobby. They were so important to him that he used to write about them in letters and in his books. Each of his Broughs held a name that was similar to a royal lineage, going from George I to George VII.

In his book *The Mint*, Lawrence dedicated an entire chapter (*The Road*) to the pleasure he had of riding across England in the morning to get the best ingredients for a brunch. "For months have I been making my evening round a marketing, twice a week, riding a hundred miles for the joy of it and picking up the best food cheapest, over half the country side."

This chapter is still considered as one of the most beautiful odes to riding.













This new model represents a milestone for Brough Superior. Inspired by the mechanical architecture of the S.S.100, the Lawrence has unique curves that were only possible to be created by using carbon fiber. The frame of the motorcycle is in titanium, and its fork is a Fior type in aluminium.

The engine has entirely been developed internally by the Brough Superior engineers. The production technology and the engineering skills that are required to build this bike partly come from the aeronautical industry that is very influential in the region of Toulouse, France. The world's leading spaceships, satellites and aircrafts are also produced in the same region.

Only 188 editions of this fascinating motorcycle will be produced. The number 188 is echoing the birth date of T.E. Lawrence: 1888.



## Craftsmanship

The Brough Superior Factory is a mesmerizing place where ideas take shape into beautiful objects.

Each part of a Brough is thought, drawn and designed by the Factory's engineers and designers. It is then hand-built with the finest existing materials by Brough Superior's craftsmen.

Welders, polishers, painters and saddlers are working in harmony within the headquarters of the company.

Some parts like wheels and swingarms are cnc (computer numerical control) machined by local machinist partners. Their expertise allows Brough Superior to meet the same quality requirements as in the aeronautical industry.



<b>PYNE CLASSIC</b> 9 gr 5€ 19 gr 10€ 30 gr 18€	<b>PIZZETA AU NUTELLA</b> 4,50 €	<b>VINS</b> Chianti «Leonardo» Verre 4€ Primitivo «Cato» Verre 3,5€
--	---	---

<b>BIMBA Family</b> 12/17	<b>BIMBA Family</b> 12/17
----------------------------------	----------------------------------

<b>BIMBA Family</b> 12/17	<b>BIMBA Family</b> 12/17
----------------------------------	----------------------------------

<b>BIMBA Family</b> 12/17	<b>BIMBA Family</b> 12/17
----------------------------------	----------------------------------

Coca-Cola  
NOUVEAUTÉ  
Capillites à la...  
sur jambon  
3€





# TECHNICAL SPECIFICATIONS

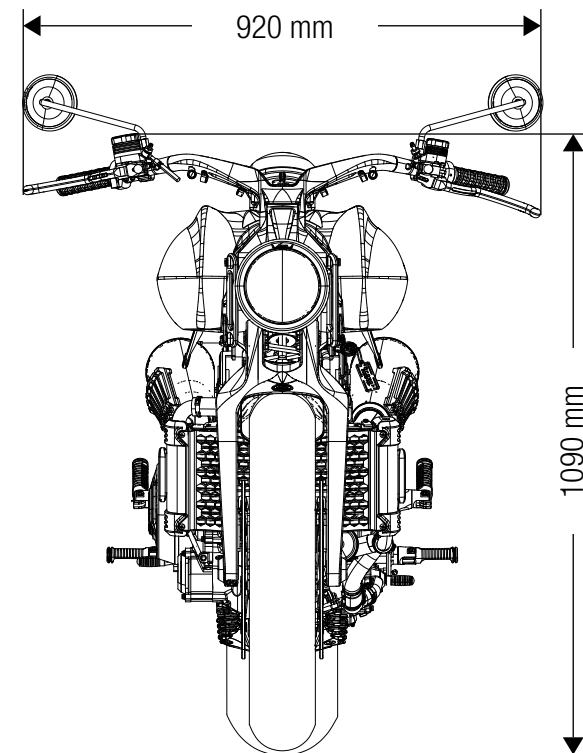
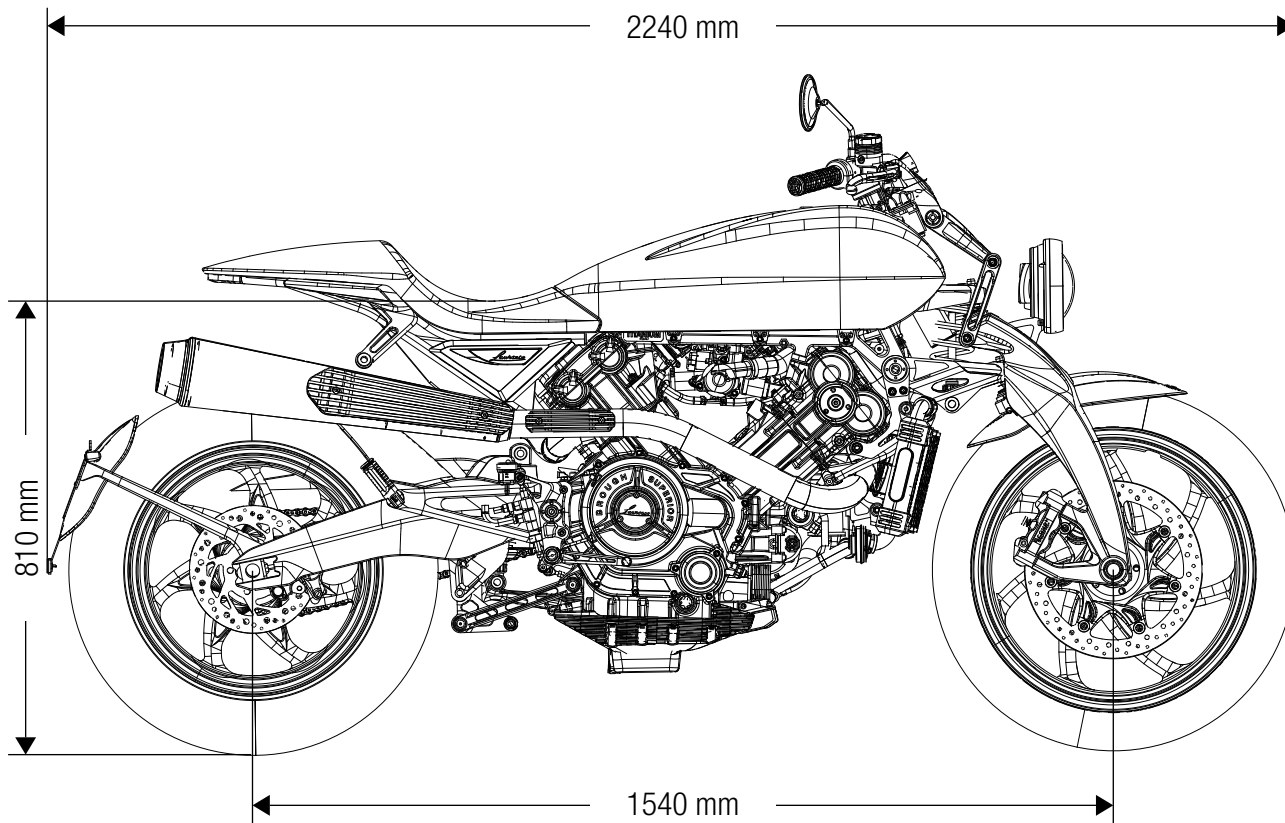
## ENGINE

Engine	997cc watercooled dohc 88° V-twin four-stroke with four valves per cylinder and composite chain / gear cam drive
Dimensions	94 mm x 71.8 mm
Power	102bhp (75kW) @9600rpm Euro 4 Homologation
Maximum torque	87Nm (64lb-ft) @7300rpm
Compression ratio	11 : 1
Fuel / Ignition system	Electronic fuel injection with Synerject ECU and 2 x 50 mm Synerject throttle bodies, each with a single injector
Tank capacity	17 L
Gearbox	6-speed
Clutch	Multiplate oil-bath clutch with hydraulic operation

## CHASSIS

Frame type	Machined Titanium frame with Titanium subframe and triangles
Front suspension	Fior-type fork CNC machined from aluminium solid with twin articulated triangular Titanium links and Pre load and rebound adjustable monoshock with 120mm travel
Rear suspension	Swingarm CNC machined from aluminium solid pivoting in engine crankcases, with monoshock adjustable for preload and rebound damping and progressive rate link with 130mm travel
Head angle / Trail	24.6° with 108.3mm trail via 37.1mm fork offset
Front brake	2 x 320mm Beringer Stainless Steel discs with 2 x two-piston Beringer radial calipers
Rear brake	1 x 230mm Beringer Stainless Steel disc with 1 x two-piston Beringer radial caliper
Wheels	Machined aluminium wheels (7 spokes)
Front tyre	120/70 - 19" on 3.50 inches
Rear tyre	200/55 - 17" on 6.25 inches
Weight / Distribution	200 Kg (440 lb) split 50/50%









# IMPORTANT NOTICES

## **Visuals: Photos and drawings**

*Some motorcycles are equipped with optional elements for racetrack use only. Additional options may be available at an additional cost. They may not be included in this brochure. Feel free to ask for more information.*

## **Updates**

*In a process of constant improvement, both in terms of products (design, manufacturing, etc.) and safety, Brough Superior Motorcycles reserves the right to make changes to its product at any time, without notice. All specifications, illustrations, details and diagrams contained in this brochure are based on information available as of 01/03/2021.*

*Due to the limitations of printing process, visuals colors (if any) are not contractual. Some images used for staging our product are not contractual. Acceleration and speed rates may vary from those in the documentation depending on country specificities or product updates that may have occurred after documentation printing.*

*If you have any questions, please do not hesitate to contact your authorized Brough Superior Motorcycles contact person or feel free to contact us directly.*

## **Copyright and other intellectual property rights**

*Copyright Brough Superior Motorcycles 2021. Do not reproduce or transmit without the express permission of Brough Superior Motorcycles. The Brough Superior name and logo are registered trademarks owned by Brough Superior Motorcycles Ltd and Brough Superior Motorcycles sas.*

## **Company details**

*Brough Superior Motorcycles Head Office  
20 rue Jean Monnet,  
31240 Saint-Jean,  
France.  
Telephone +33 (0) 562 892 460  
VAT number FR1801344318*



[www.broughsuperiormotorcycles.com](http://www.broughsuperiormotorcycles.com)  
BROUGH SUPERIOR™ - ELF exclusively recommended lubricant  
ELF is a registered trademark of the Total Group



BROUGH SUPERIOR MOTORCYCLES SAS  20 RUE JEAN MONNET 31240 SAINT JEAN (FRANCE)  +33 (0) 562 892 460